



Charlie electric vehicle charging station

Charlie-3 in **one charging station** installation
DIP Switch configuration for setting up charging current

DIP S2



10A



13A



16A



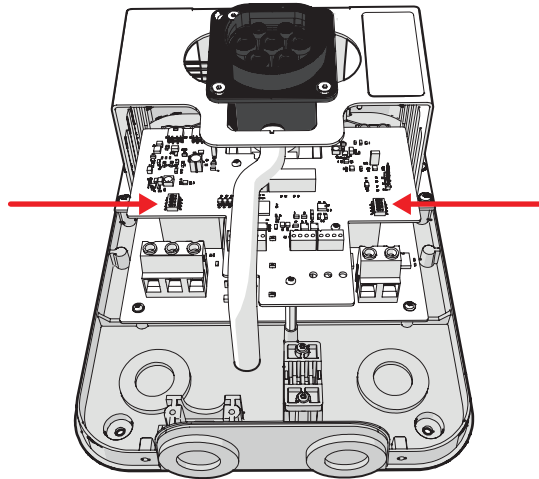
20A



25A



32A



DIP S1



Charlie-3 Load Balancing

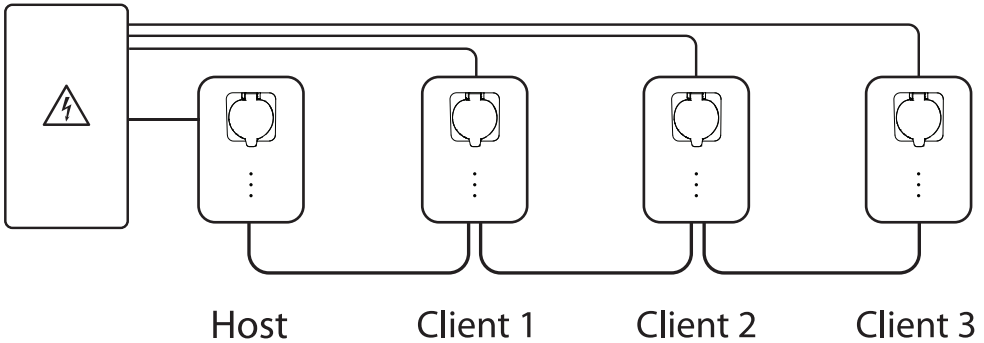
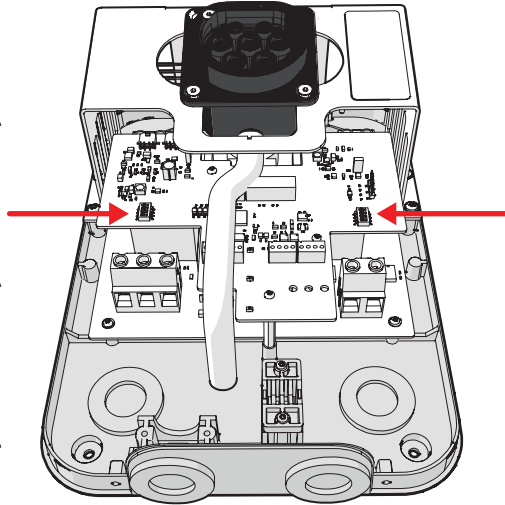
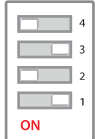
DIP Switch configuration for **Host Unit**

Current limit to be set-up based on total available current for whole installation

DIP S2



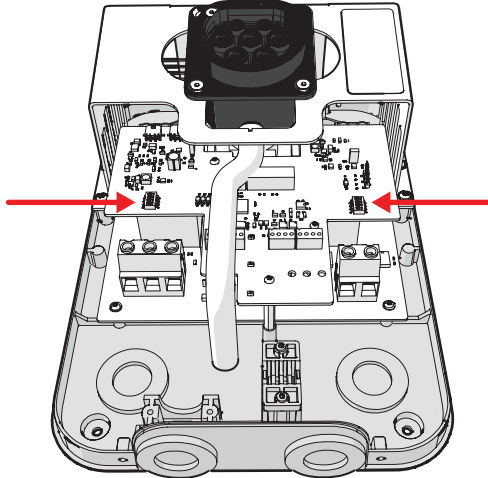
DIP S1



Charlie-3 Load Balancing

DIP Switch configuration for Client unit

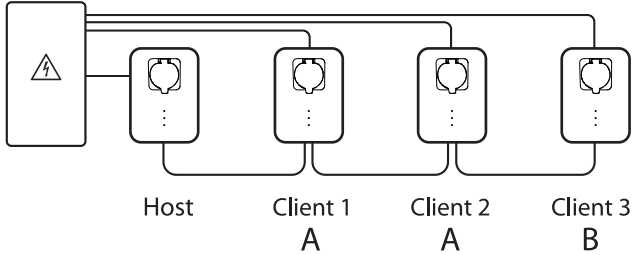
DIP S2



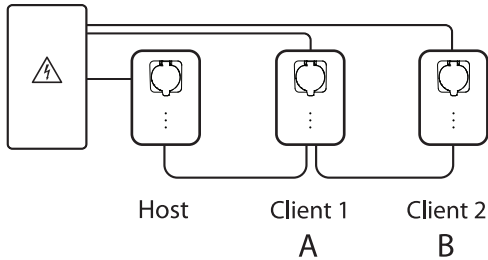
DIP S1



DIP S1 Configuration



DIP S1 Configuration



DIP S1 Configuration

